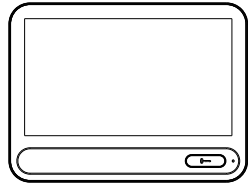
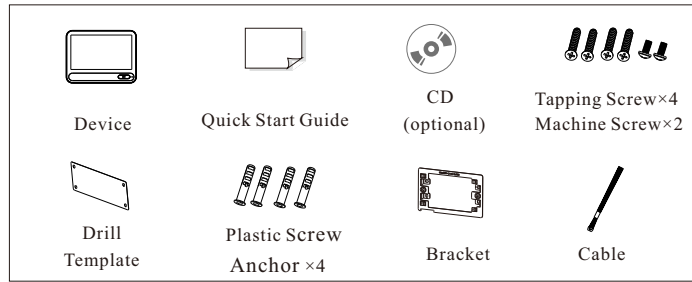


# Video Intercom Indoor Station

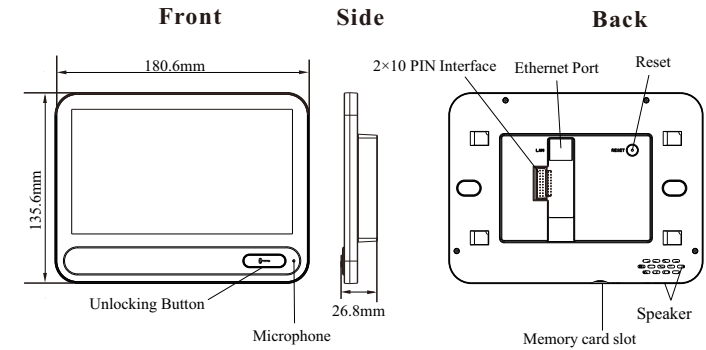
## Quick Start Guide



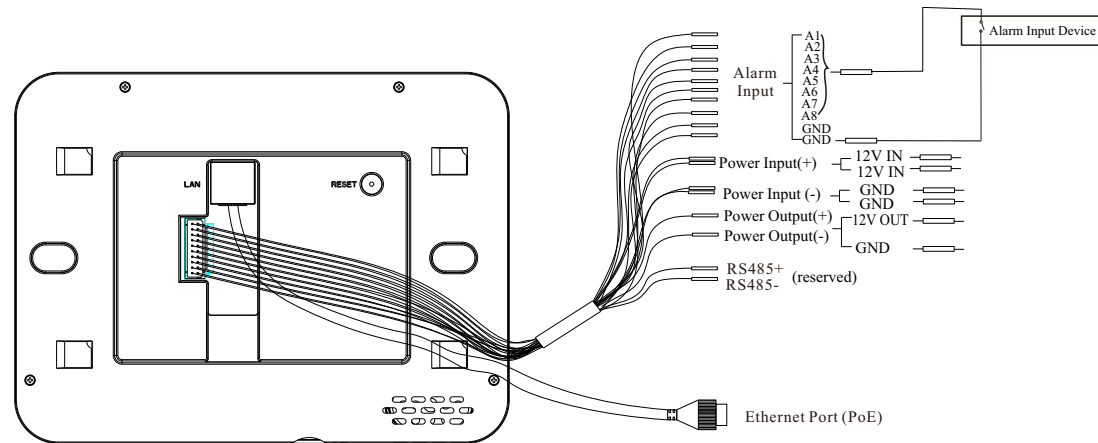
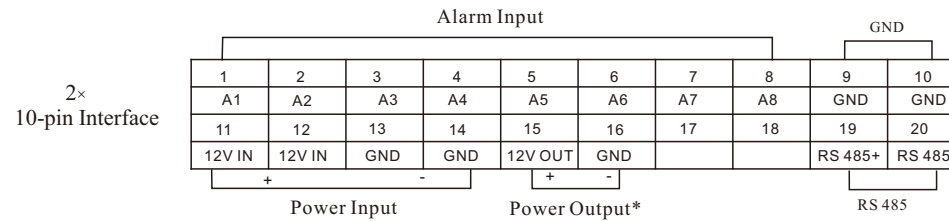
### 1 Package



### 2 Overview



### 3 Cable Connection



Note:

\*Only when 12VDC power supply is used to power the indoor station, can the power output be available.

The power output will not take effect when PoE power supply is used.

#### About This Manual

All pictures, images, icons and snapshots in this manual are for reference only. If there is inconsistency between the manual and the actual product, the actual product shall prevail. The manual will be updated according to the product improvement and are subject to change without prior written notice.

#### Legal Disclaimer

To the maximum extent permitted by applicable law, the product described, with its hardware, software, software and firmware, is provided "as is", with all faults and errors, and our company makes no warranties, express or implied, including particular purpose, and non-infringement of third party. In no event will our company, offices, or agents be liable to you for any special, consequential, incidental, or indirect damages, including, among others, damages for loss of business profits, business interruption, or loss of data or documentation, in connection with the use of this product, even if our company has been advised of the possibility of such damages. With regard to the product with internet access, the use of product shall be wholly at your own risks. Our company shall be irresponsible for abnormal operation, privacy leakage or other damages resulting from cyber attack, hacker attack, virus inspection, or other internet security risks; however, our company will provide timely technical support if necessary. During the use of the device, please strictly abide by applicable law. In the event of any conflicts between this manual and the applicable law, the later prevails.

#### Installation and Use

Please use our product according to the following safety instructions and warnings.

Do not place the camera in extremely hot, cold, dusty or damp location.

Do not expose it to high electromagnetic radiation.

If the product does not work properly, please contact your dealer or the nearest service center.

Never attempt to disassemble the camera yourself. (We shall not be responsible for any problems caused by unauthorized repair or maintenance.)

Do not drop the camera or subject it to physical shock.

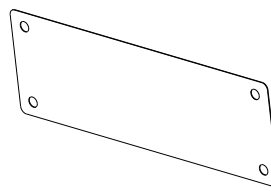
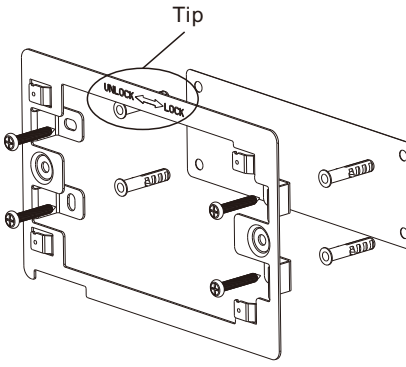
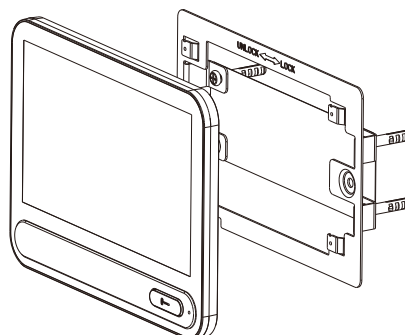
Keep away from liquid while in use.

Do not touch the screen with sharp objects.

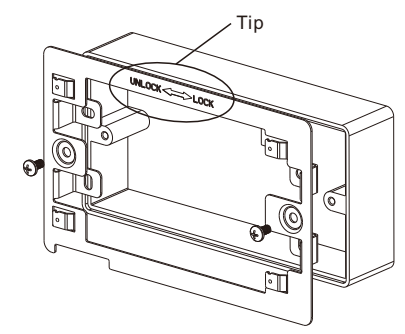
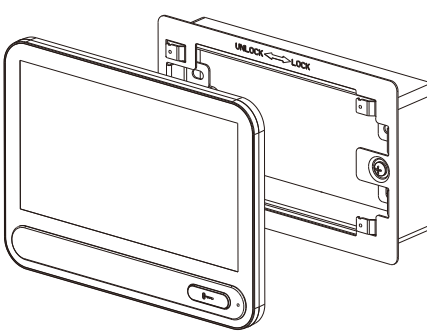
After the installation of the device is complete, please remove the protective film.

If cleaning is necessary, please use clean cloth to wipe it gently, avoiding water or alcohol.

**Wall Mounting without Junction Box**

<p><b>1</b></p>  <p>Place the drill template onto the wall and then drill the holes according to it.</p>	<p><b>2</b></p>  <p>Insert the screw anchors into the screw holes and then install the bracket onto the wall with four tapping screws.</p> <p>Note: The tip of the bracket must be on the top when installing.</p>	<p><b>3</b></p>  <p>Hook the device to the bracket from left to right .</p>
---	--	--

**Wall Mounting with Junction Box**

<p><b>1</b></p>  <p>Install the bracket onto the junction box with two machine screws.</p> <p>Note: The tip of the bracket must be on the top when installing.</p>	<p><b>2</b></p>  <p>Hook the device to the bracket from the left to right.</p> <p>Note: Push the device from right to left to remove</p>
---	--